



## N8DM-11A/D/DB

SINGLE PHASE TWO WIRE KWH METER

- 45A Max. direct load
- 1 module wide
- Active energy measured
- Pulse output
- Din rail mounted



Specification	
Model	N8DM-11A/D/DB
Display	N8DM-11A electromechanical register
	N8DM-11D LCD
	N8DM-11DB LCD with Backlit
Nominal voltage(Un)	120V or 230V ac
Operational voltage	80%~120% of Un
Insulation capabilities	
- AC voltage withstand	4KV for 1 minute
- Impulse voltage withstand	6KV-1.2μS
Basic current (Ib)	5A
Maximum rated current (Imax)	45A
Operational current range	0.4% Ib-Imax
Over current withstand	30 Imax for 0.01s
Operational frequency range	50 / 60Hz
Internal power consumption	≤ 2W/10VA
Pulse output	1000imp/kWh
Max reading	99999.9 kWh

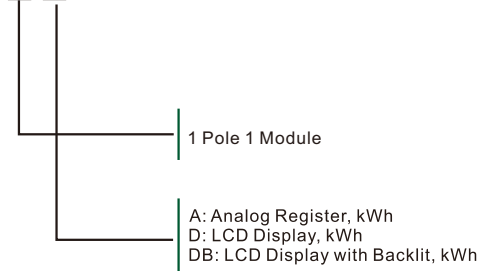
Performance criteria	
Operating humidity	≤ 90%
Storage humidity	≤ 95%
Operating temperature	-25°C - +55°C
Storage temperature	-40°C - +70°C
Reference temperature	23°C±2°C
International standard	IEC 62053-21 / EN50470-1/3
Accuracy class	Class1/Class B
Installation category	CAT II
Mechanical environment	M1
Electromagnetic environment	E2
Degree of pollution	2
Protection against penetration of dust and water	IP51 (indoor)
Insulating encased meter of protective class	II
Electrostatic discharges	8kV contact / 15kV air gap
Electromagnetic HF fields	IEC 61000-4-3
Electrical fast transients	4kV
Surge	4kV
Radiated & conducted emissions	EN 55022



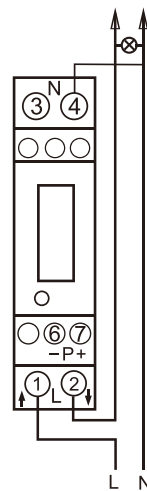
The N8DM-11A/D/DB series provide an uni-direction (anti-reverse) measurement model. It would only count the forward energy, and not count the reverse energy. It is widely used in solar generation energy measurement.

### Description

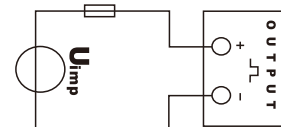
#### N8DM-11 D



### Wiring diagrams

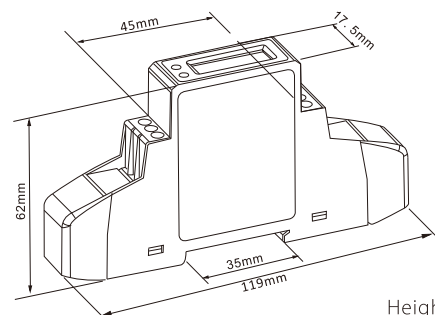


#### Pulse output



ATTENTION: Pulse output must be fed as shown in the wiring diagram below. Scrupulously respect polarities and the connection mode. Opto-coupler with potential-free SPST-NO Contact. Contact range:5~27VDC Max. current Input:27mA DC.

### Dimensions



Height 119mm  
Width 17.5mm  
Depth 62mm