



N8DM-34D/DR/BI

THREE PHASE FOUR WIRE ENERGY METER

- 100A Max. direct load
- 4 Module wide
- Measures active energy(kWh)+ power(W)
- Bi-directional measurement
- Resettable energy
- Pulse output



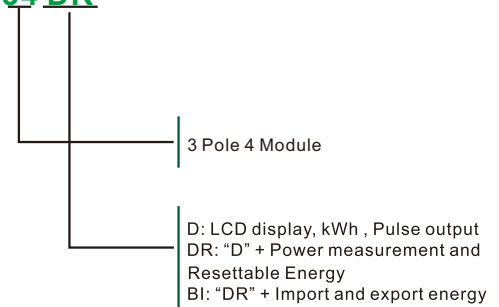
Specification	
Model	N8DM-34D/DR/BI
Nominal voltage(Un)	3x230/400V ac
Operational voltage	80%~120% of Un
Insulation capabilities	
- AC voltage withstand	4KV for 1 minute
- Impulse voltage withstand	6KV-1.2μS
Basic current (Ib)	10A
Maximum rated current (Imax)	100A
Operational current range	0.4% Ib-Imax
Over current withstand	30 Imax for 0.01s
Operational frequency range	50 or 60Hz
Power consumption per phase	≤ 2W/10VA
Pulse output	1000imp/kWh
Display	LCD
Max reading	999999.9 kWh

Performance criteria	
Operating humidity	≤ 90%
Storage humidity	≤ 95%
Operating temperature	-25°C - +55°C
Storage temperature	-40°C - +70°C
Reference temperature	23°C± 2°C
International standard	IEC 62053-21 / EN50470-1/3
Accuracy class	Class1/Class B
Installation category	CAT III
Mechanical environment	M1
Electromagnetic environment	E2
Degree of pollution	2
Protection against penetration of dust and water	IP51 (indoor)
Insulating encased meter of protective class	II
Altitude	up to 2000m
Electrostatic discharges	8kV contact / 15kV air gap
Electromagnetic HF fields	IEC 61000-4-3
Electrical fast transients	4kV
Surge	4kV
Radiated & conducted emissions	EN 55022

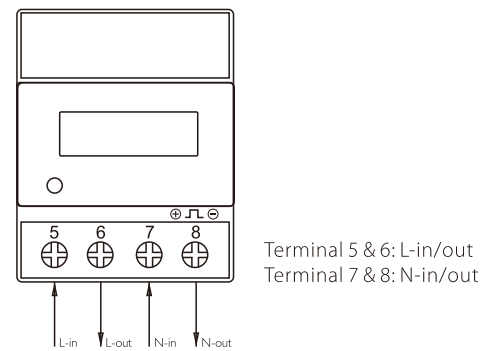
Mechanics	
Din rail dimensions	72x100x66 (WxHxD) DIN 43880
Mounting DIN rail	35mm
Sealing	IP51 (indoor)
Material	self-extinguishing UL94V-0

Description

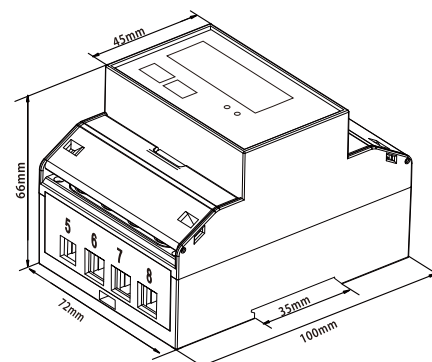
N8DM-34 DR



Wiring diagrams



Dimensions



Height 100mm
 Width 72mm
 Depth 66mm